

General Specifications

Model DA1
Distributor

JUXTA

1. General

This DCS correspondence nest stored type distributor for use 2-wire transmitter provides functions of distributor and signal isolation conversion. This instrument inputs 4~20mA DC signal and converts it into various current and voltage signals.

● Available to combine with arrester.

2. Specifications

Input & Output	
Input signal	4~20mA DC
Input resistance	250Ω
Permissible input current	40mA or less
Transmitter power supply voltage	26.5±1.5V DC (with current control circuit, control at 25~35mA)
Conductor resistance	$RL \leq (20\text{-transmitter minimum operating voltage})V/0.02A (\Omega)$
Output-1 signal	1~5V DC
Output-2 signal	DC voltage or current signal (In case of current output, output is only available either from front terminal ③~④ or connector)
Permissible Load Resistance :	
Output Range	Output Range
4~20mA DC : Less than 0~750Ω	0~10mV DC : More than 250KΩ
2~10mA DC : " 0~1500Ω	0~100mV DC : " 250KΩ
1~5mA DC : " 0~3000Ω	0~1V DC : " 2KΩ
0~20mA DC : " 0~750Ω	0~10V DC : " 10KΩ
0~16mA DC : " 0~900Ω	0~5V DC : " 2KΩ
0~10mA DC : " 0~1500Ω	1~5V DC : " 2KΩ
0~1mA DC : " 0~15kΩ	-10~+10V DC : " 10KΩ
Zero point adjustment range	±1% of span
Span adjustment range	±5% of span
Standard Performance	
Accuracy rating	Output-1 : ±0.1% of span Output-2 : Less than 2% of relative error with Output-1, At 0~xmA of current output type, less than 0.5% of Output-2 for relative accuracy with Output-1 is out of warranty.
Response speed	150ms 63% response (10~90%)
Insulation resistance	100MΩ or more (at 500V DC) between input~output~power supply
Voltage withstand	1500V AC/minute between input~output, input~power supply 500V AC/minute between output~power supply
Temperature range	0~50°C
Humidity range	5~90% RH (no condensation)
Power supply voltage	24V DC±10% (ripple content 5% p-p or less)
Effect of power supply voltage fluctuation	Less than ±0.1% of span for 24V DC±10% fluctuation
Effect of ambient temperature change	Less than ±0.2% of span for 10°C change
Current dissipation	24V DC 110mA (4~20mA DC), 80mA (1~5V DC)
Mounting, Dimension & Accessories	
Mounting method	Store in special nest (signal power supply be connected to back board through connector)
Wiring	External wiring : Connect to terminal M4 screw of input/output of the nest. Connection to I/O card : Connect with special cable through connector
External dimension	130.6 X 23.6 X 126mm (HxWxD)
Weight	About 120g
Accessories	Tag number label ... 1

MODEL _____ DA 1 - A 6 □ * A

INPUT SIGNAL _____
 A : 4~20mA DC
 Transmitter Power Supply 25~28V DC

OUTPUT-1 SIGNAL _____
 6 : 1~5V DC

OUTPUT-2 SIGNAL _____

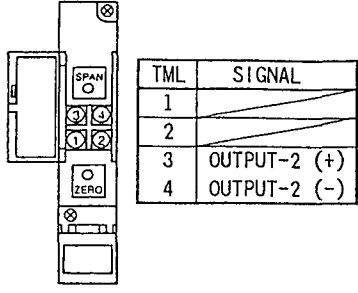
A : 4~20mA DC 1 : 0~ 10mV DC
 B : 2~10mA DC 2 : 0~100mV DC
 C : 1~ 5mA DC 3 : 0~ 1V DC
 D : 0~20mA DC 4 : 0~10V DC
 E : 0~16mA DC 5 : 0~ 5V DC
 F : 0~10mA DC 6 : 1~ 5V DC
 G : 0~ 1mA DC 7 : -10~+10V DC
 Z : (CUSTOM ORDER) 0 : (CUSTOM ORDER)
 Current Signal Voltage Signal
 Refer Table 1 Refer Table 1

CUSTOM ORDER SPECIFICATIONS -----

TABLE 1 Manufacturable Range

	Current Signal	Voltage Signal
Output range	0~24A DC	-10~+10V DC
Span	1~24mA DC	10mV~20V DC
Zero Elevation	0~200%	-100~+200%

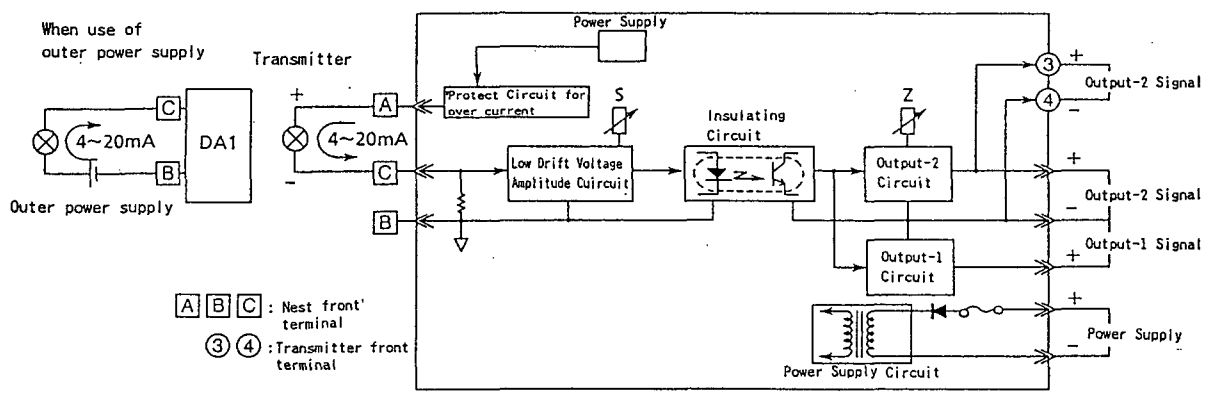
TERMINAL ARRANGEMENT -----



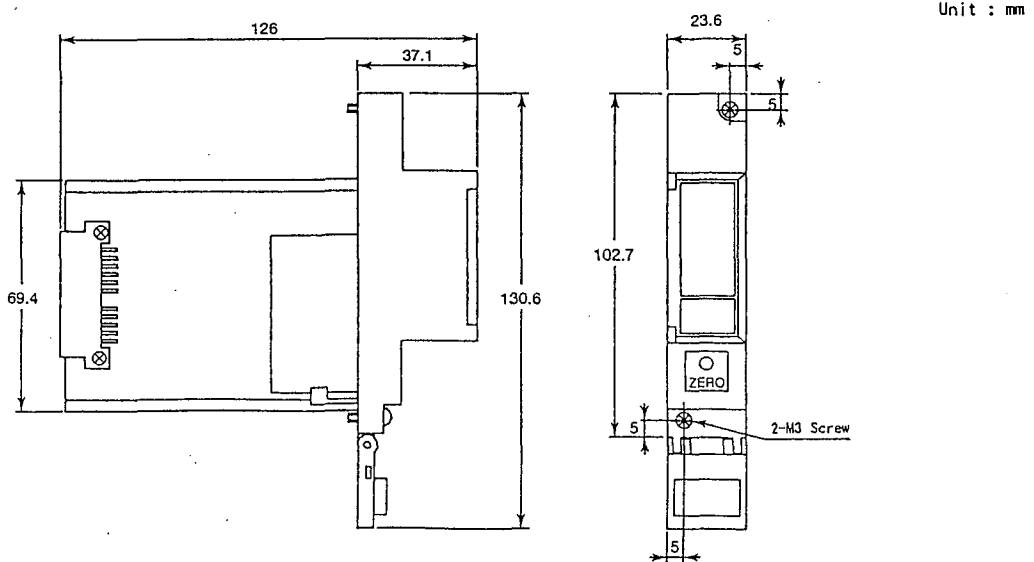
POWER SUPPLY
 24V DC ±10%

ORDERING INFORMATION
 MODEL CODE : (EXAMPLE) DA1-A6A*A

BLOCK DIAGRAM -----



EXTERNAL DIMENSION -----



Subject to change without notice for grade up quality and performance